

MENNO® Dosing-Foam-Sprayer

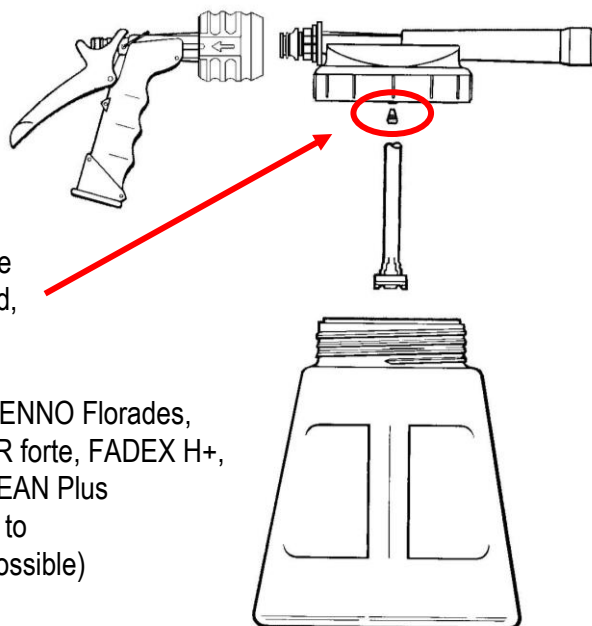
For easy handling and exact self-dosing of MENNO® products: Disinfectants, cleaning agents and washing detergents for use in horticulture, food industry and agriculture

The MENNO® Dosing-Foam-Sprayer connects simply and directly to a water hose using a quick release coupling, adding the MENNO® product in the right concentration as the water from the hose flows through it. The mixture is applied as visible, wet foam which allows simple checking of coverage. The application as a wet foam is increasing somewhat the contact time, also the formation is avoided by aerosolic spray and thus to provide occupational safety and health safety.



A filling of the storage tank with 3 l product concentrate is enough for 300 l product mixture, enough for a surface to be treated: At a recommended rate of application of 0.4 l / m² (area dripping wet) at the concentrations given in each case sufficient for:

- 0,25 % for ca. 3.000 m²
- 0,5 % for ca. 1.500 m²
- 0,75 % for ca. 1.000 m²
- 1 % for ca. 750 m²
- 2 % for ca. 375 m²



Colored nozzles, which are inserted in the mixing head, dose the appropriate concentration.

Example color scale for MENNO Florades, A-QUASAN, MENNO TER forte, FADEX H+, VENNO HORTISEPT CLEAN Plus (Color deviations are due to Printer settings may be possible)



Color	A-QUASAN	MENNO Florades	FADEX H+	MENNO TER forte	HORTISEPT CLEAN Plus
pink	-	-	0,25 %	-	0,25 %
purple	-	0,75%	0,5 %	0,5 %	0,5 %
aqua	-	-	0,75 %	0,75 %	0,75 %
yellow	1 %	1 %	1 %	1 %	1 %
dark brown	1,5 %	1,5 %	1,5 %	1,5 %	1,5 %
orange	-	1,75 %	1,75 %	1,75 %	1,75 %
green	2 %	2 %	2 %	2 %	2 %
medium brown	4 %	4 %			
blue	5 %				

Note: All colors specified apply to a viscosity of the product concentrates at 20°C and a water pressure of 3.5 to 4 bar used. For operational, site-specific concentration adjustment, the user should individually determine the dosing settings! To do this, use a flow rate meter to record the water volume flow and put it in relation to the consumption of the product concentrate.

Legal national registration requirements and legislation has to be considered before use.